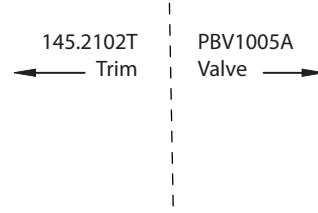


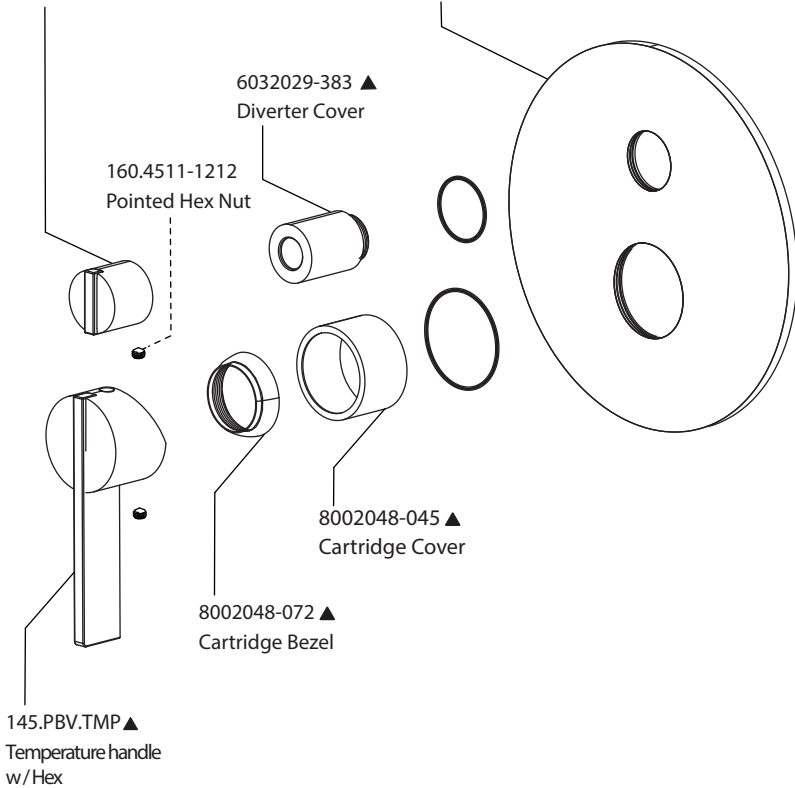
# Product Parts Breakdown

▲ Specify Finish



145.PBV.DIV ▲  
Diverter Handle  
w/ hex

TRM.PBV.2102 ▲  
Trim Plate



6032029-383 ▲  
Diverter Cover

160.4511-1212  
Pointed Hex Nut

8002048-045 ▲  
Cartridge Cover

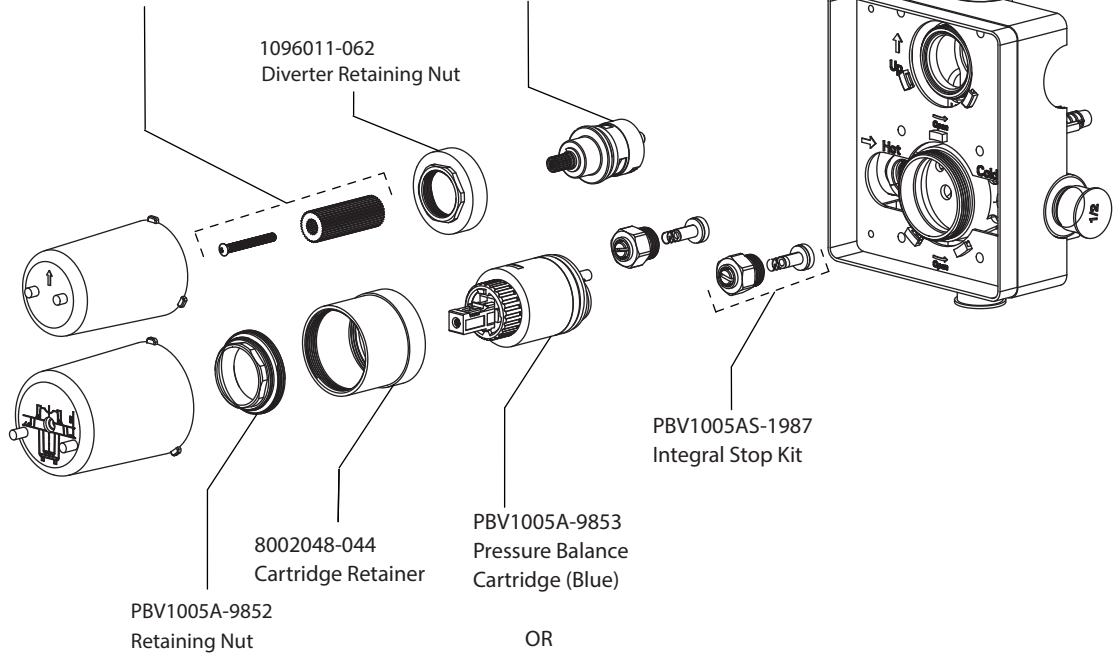
8002048-072 ▲  
Cartridge Bezel

145.PBV.TMP ▲  
Temperature handle  
w/Hex

8002048-122  
Threaded Connector

PBV1005A-1991  
Diverter Cartridge

1096011-062  
Diverter Retaining Nut



8002048-044  
Cartridge Retainer

PBV1005A-9852  
Retaining Nut

PBV1005A-9853  
Pressure Balance  
Cartridge (Blue)

OR

PBV1005A-9400  
Pressure Balance  
Cartridge (Yellow)

PBV1005AS-1987  
Integral Stop Kit

**isenberg**  
innovation+design

145.2102

Ver 2.56